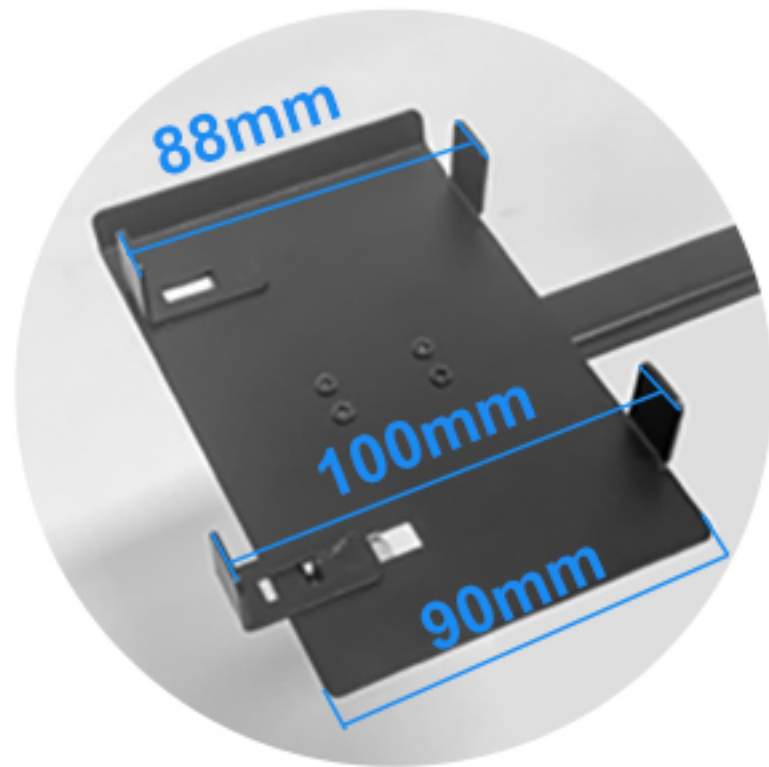




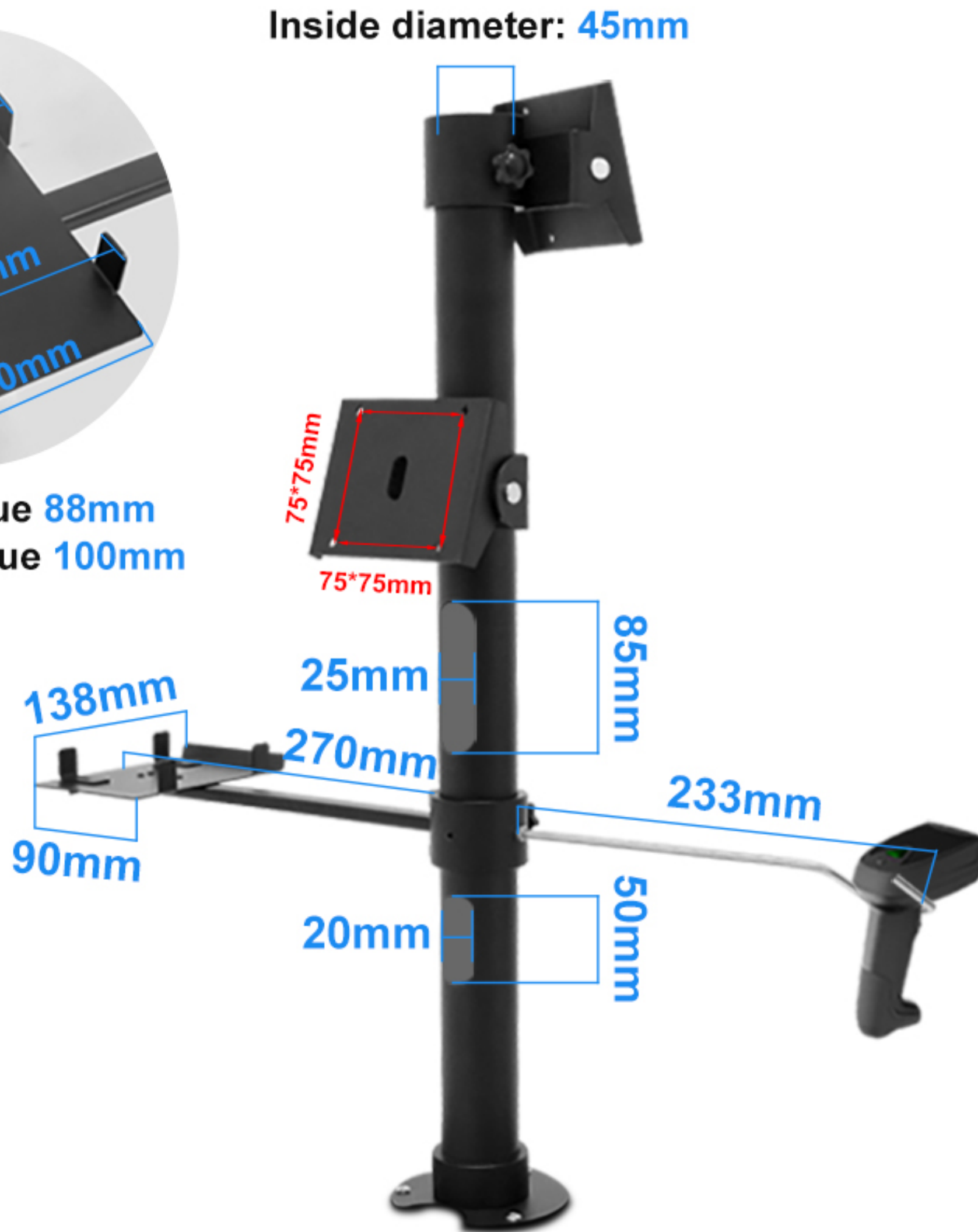
| | |
|---------------------------|-----------------------------|
| Product name | POS machine bracket |
| Model | TX-202 |
| Colour | Black |
| Recommended size | 15" + 9.7" or 15.6" + 11.6" |
| Load bearing range | Within 20kg |
| Pitch-row | 75*75 mm |
| Pitch angle | +25° -25° |
| Horizontal angle | 360° |
| Material quality | Metal |

Parameter

For more parameters, please consult customer service



Minimum value **88mm**
Maximum value **100mm**



(Total height of product: **600mm**)

**The size of the product is measured manually. There may be some deviation in the actual situation, subject to the actual object!*

TX-202

POS machine bracket

Lifting type, dual screen bracket

—
9.7-15.6"



Advantage

Main selling points of the product



**Screen options
9.7-15.6"**



**Height
adjustment**



**Adjustable
pitch angle**



**Bearing capacity
of about 20kg**



**Bracket hidden
line design**



**Support pendant
rotates 360 °**

Dual screen display

Screens at different angles make checkout more convenient



Hangable scanner

Secure with three screws

Adjustable horizontal angle

Easy adjustment and free suspension



Free lifting and lowering

Height free adjustment



3 out adjustable for lifting
and lowering

Pitch angle adjustment

Meetig the needs of various perspectives



+25°

Display tilt adjustable

-25°



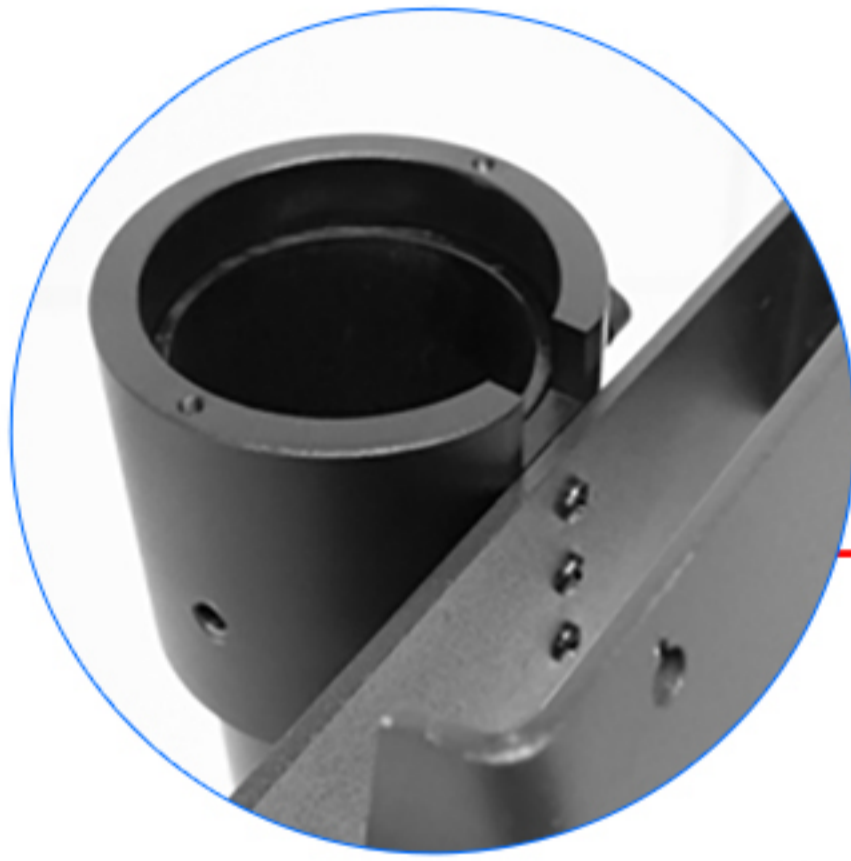
The stand can weigh 20kg

Adjusting the non sinking head

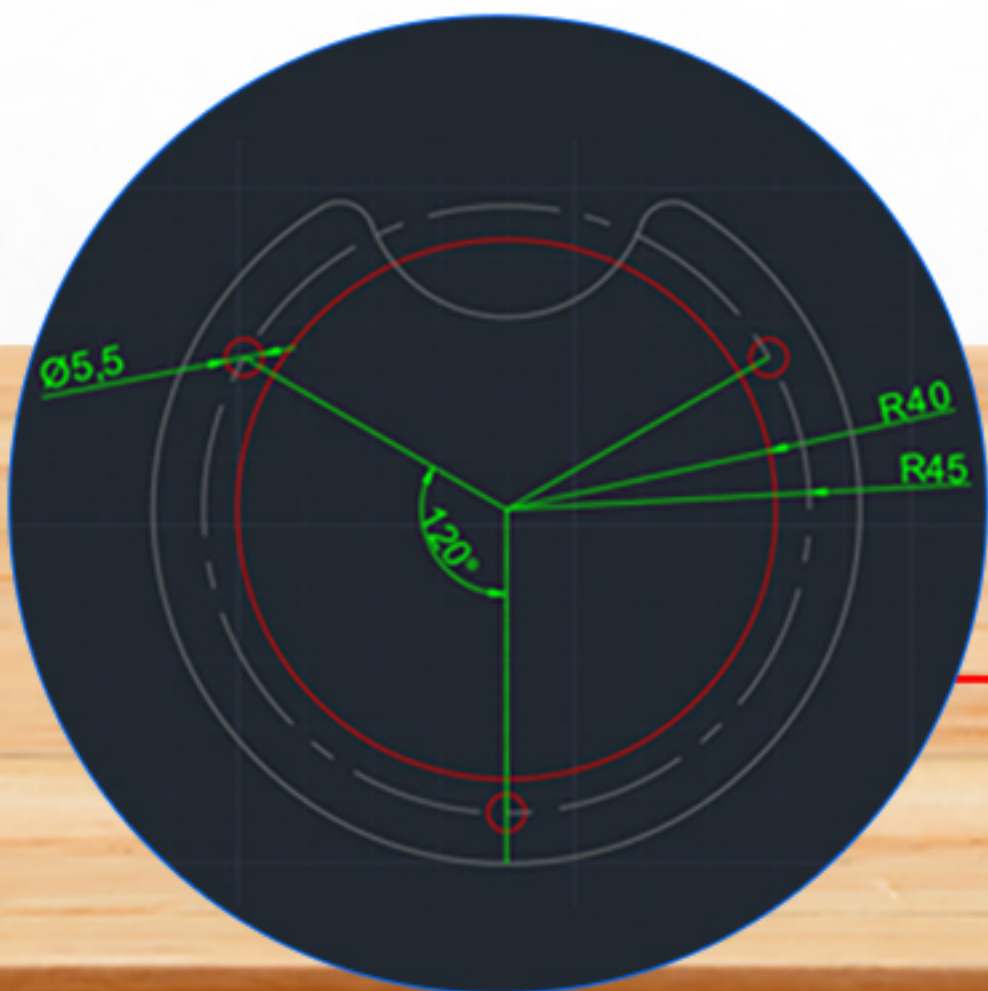


Hidden Line Design

Free up desktop space



Display tilt adjustable



New upgrade, more convenient

Can hang scanning and handheld card reader



Application scenario

Humanity design

