

18.5 inches

Cashier display

Folding base

18.5-inch, high-definition display

- High definition large screen
- 10 point capacitive touch screen
- Folding the base saves 30% on shipping costs



Note:This product package does not include a host and must have its own host,
The host should be equipped with: VGA+HDMI

Advantage

Main selling points of the product

A large blue 'A+' symbol.

Grade A+Panel
No bad pixel



Resolution
1920*1080



Stable
performance



Long
service life



Waterproof and
dustproof



Quiet heat
dissipation

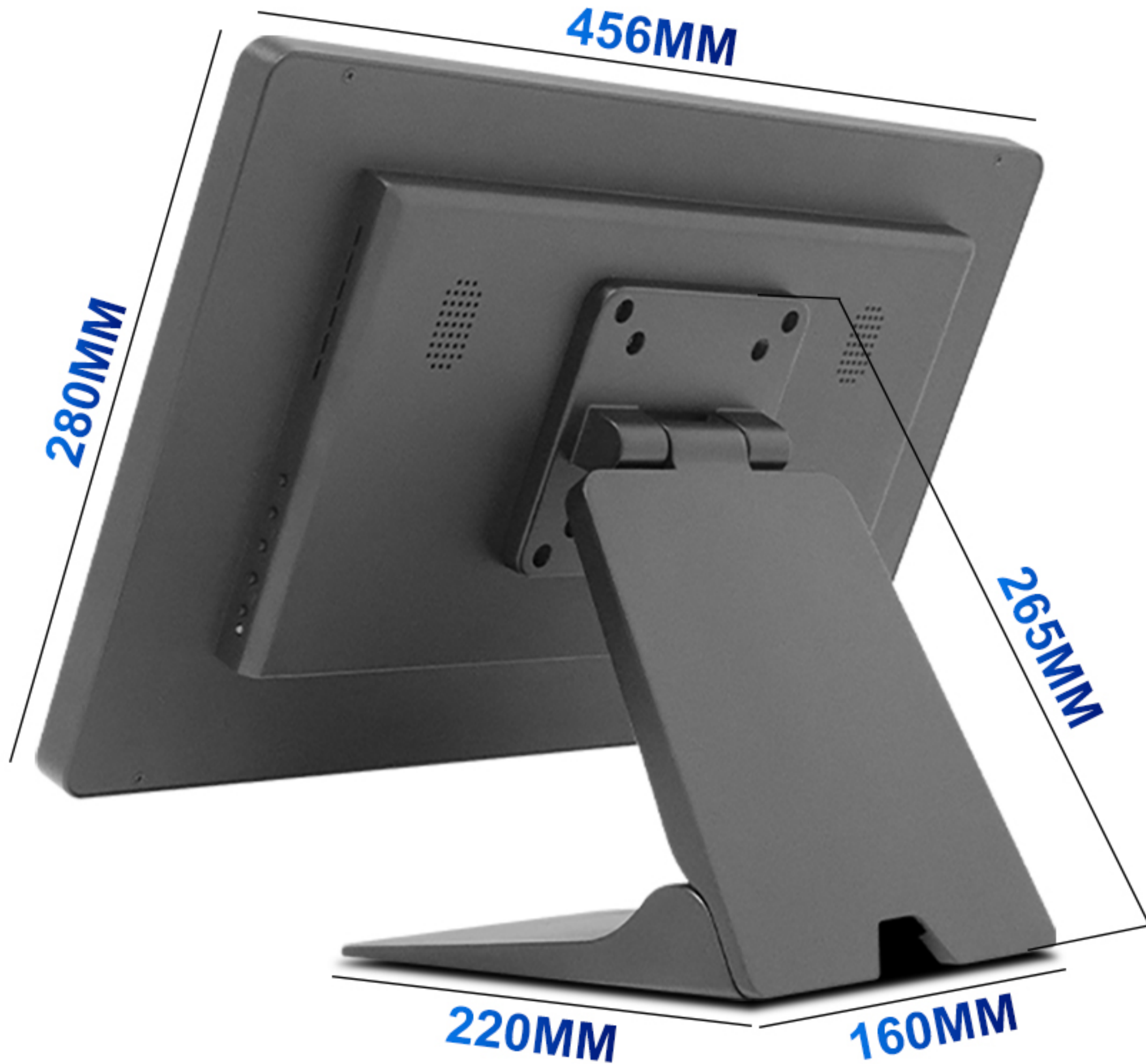
Parameter

For more parameters, please consult customer service

Supply voltage	100V-240V
Host voltage	12V 5A
Display	18.5 inch resolution 1920* 1080, 16:9 TFT LED
Touch screen	10 point Capacitive Touch
Contrast	700 : 1
Water Resistance	IP65 Front Panel
Viewing Angle	160 Degrees Horizontal, 160 Degrees Vertical
Brightness	300cd / m ²
Operating Temperature	-10 to +60 Degrees Celsius
Interface	USB (touch)*1 / Dc in*1 / VGA*1 / HDMI*1
MSR	/
Material	Metal
Total body weight	6.8KG
Package size	45*22.5*42.5 CM

Product size

Reasonable design provides a more aesthetic and practical experience

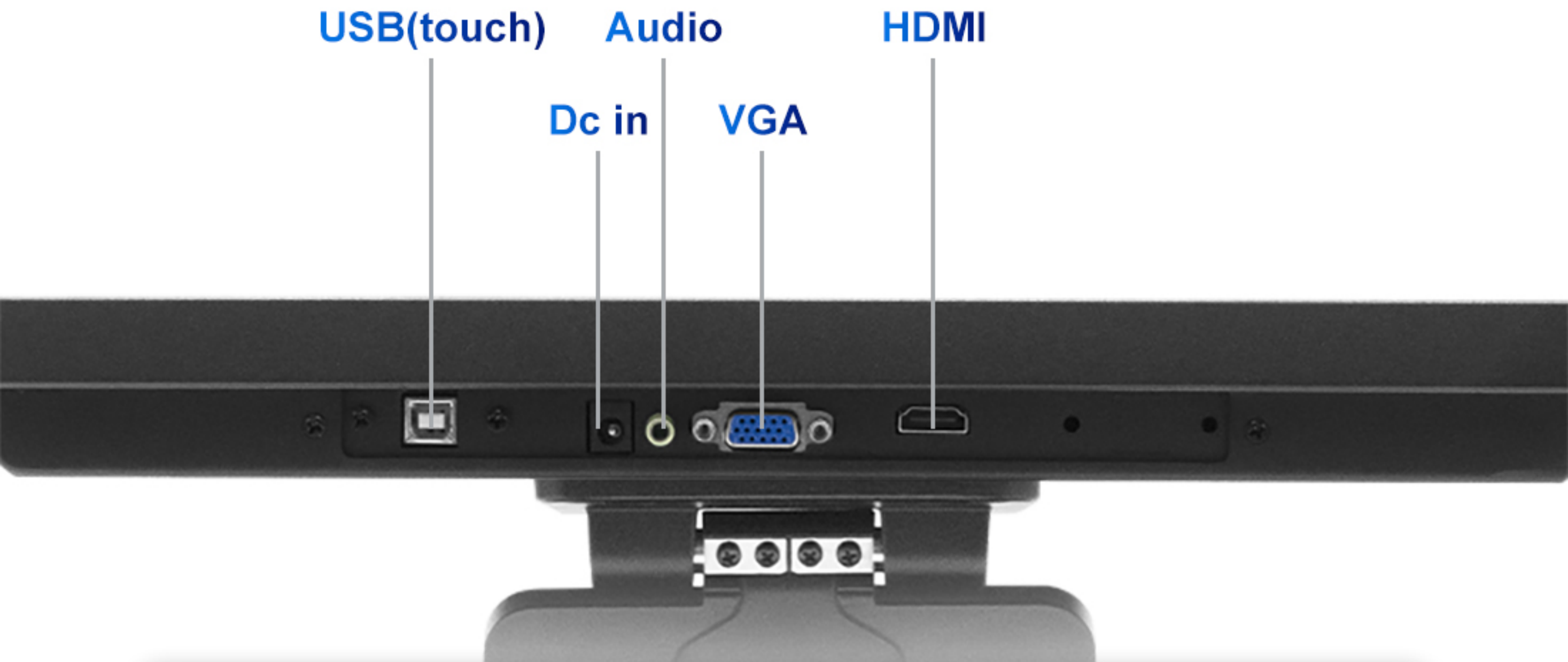


(Total height of product: **385mm**)

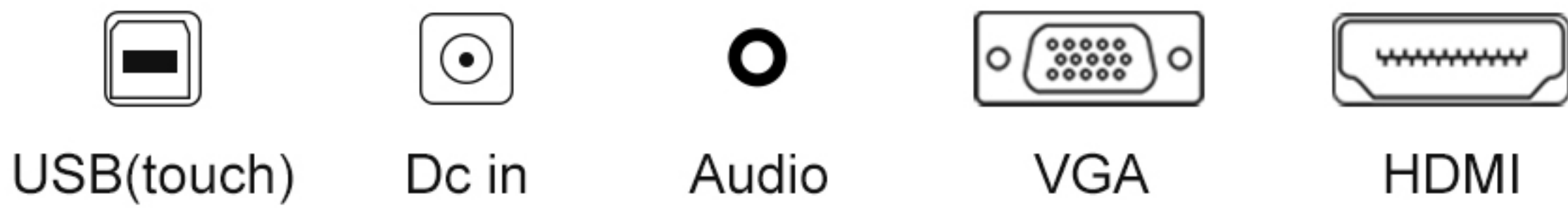
**The size of the product is measured manually. There may be some deviation in the actual situation, subject to the actual object!*

Interface display

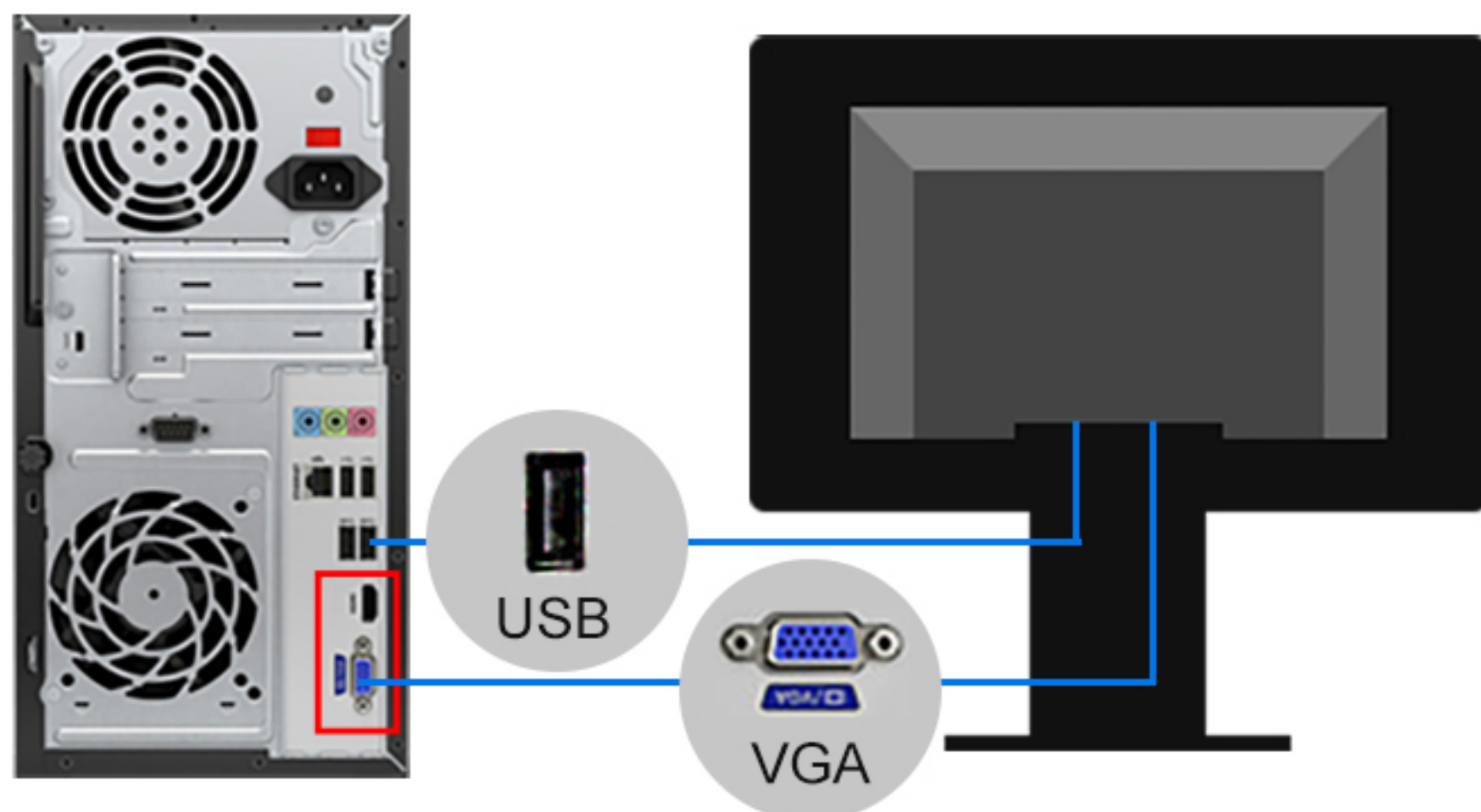
The customer's host be equipped with a VGA+HDMI interface



Main screen connection port



Customizable interface



The product is equipped with a VGA cable by default and requires an HDMI cable. Please contact customer service